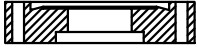
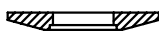
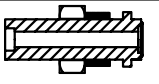
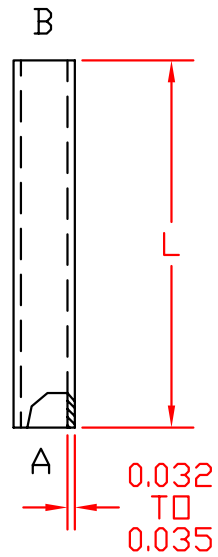


PINCH-OFF AND PUMP-OUT DESIGN SELECTION

TUBE DIMENSIONS IN INCHES						
NOMINAL TUBE OUTSIDE DIA.	1/8	3/16	1/4	3/8	1/2	3/4
	-2	-3	-4	-6	-8	-12
LENGTH,(L)	SPECIFY					

SELECT TUBE MATERIAL/DESIGNATION		
COPPER	NICKEL	CUPRONICKEL, STAINLESS STEEL, ALUMINUM AND OTHERS UPON REQUEST. CONSULT VPE ENGINEERING
CU	NI	

SELECT FITTING		DESIGNATION	
NO FITTING		P	
MINI CFF		CF	
KF16 FLANGE		KF	
VCR-4	 VM	VM4 VF4	
VCR-8		VM8 VF8	
VCR-12		VM12 VF12	
WELD ADAPTER		WA	
COPPER	1/8-1/2	1.33 OD FLANGE	133CG
GASKET	1/8-3/4	2.75 OD FLANGE	275CG



EXAMPLE. PART No.

(Cu) — (-4) — (4.5) — (P) — (VM4)

TUBE MAT'L DIA. (L) TUBE END A END B